

# **SINGER**

**353/354**

From the library of: Diamond Needle Corp

**LIST OF PARTS**  
**FOR**  
**SINGER\***  
**SEWING MACHINES**  
**353 & 354**

\* A Trademark of THE SINGER COMPANY

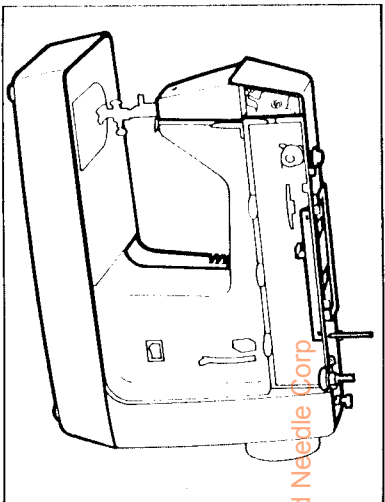
# Contents

Group

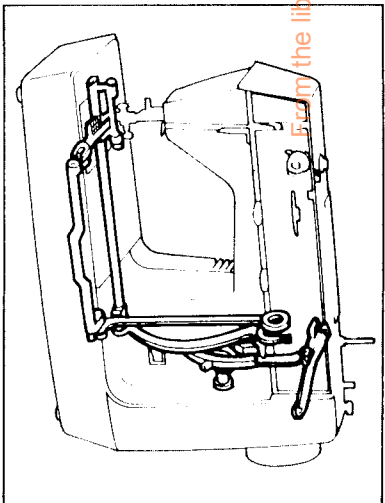
Page

Group

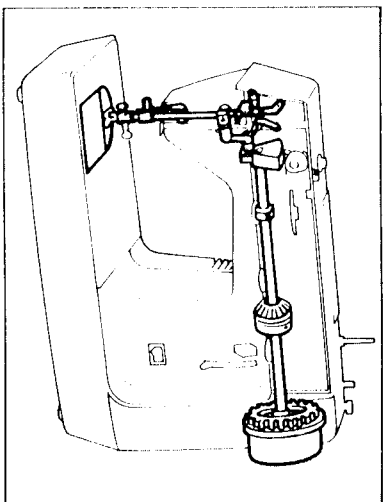
Page



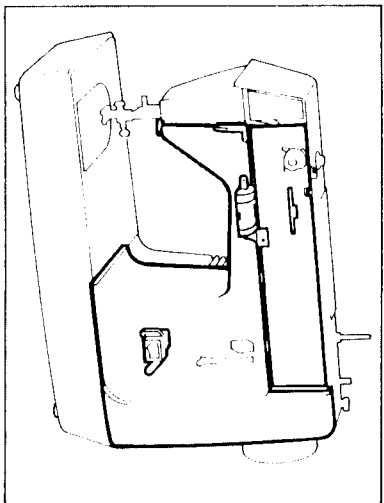
4



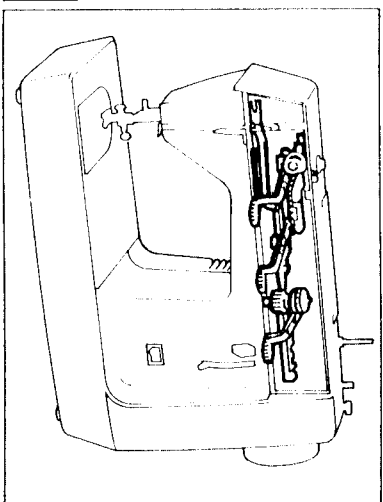
12



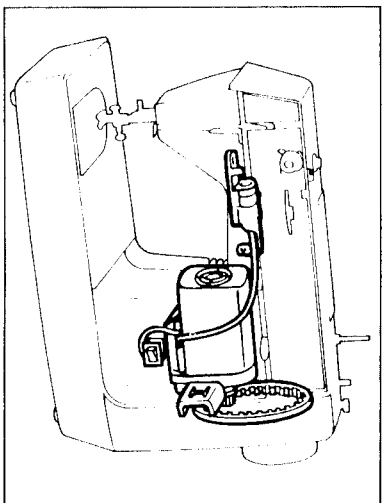
6



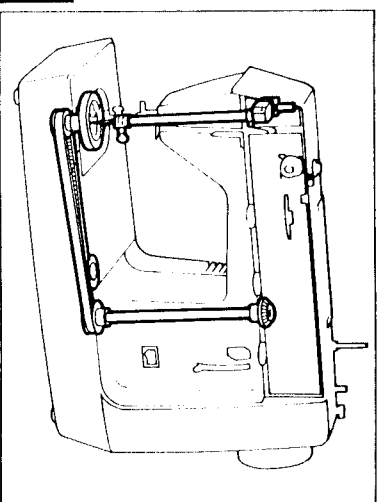
14



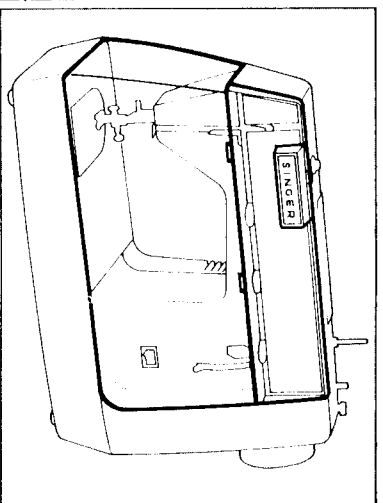
8



16



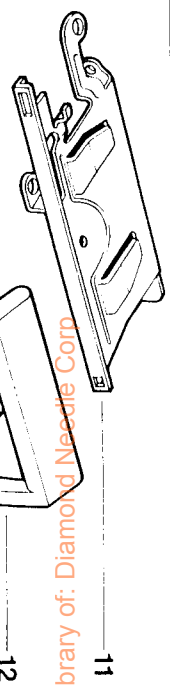
10



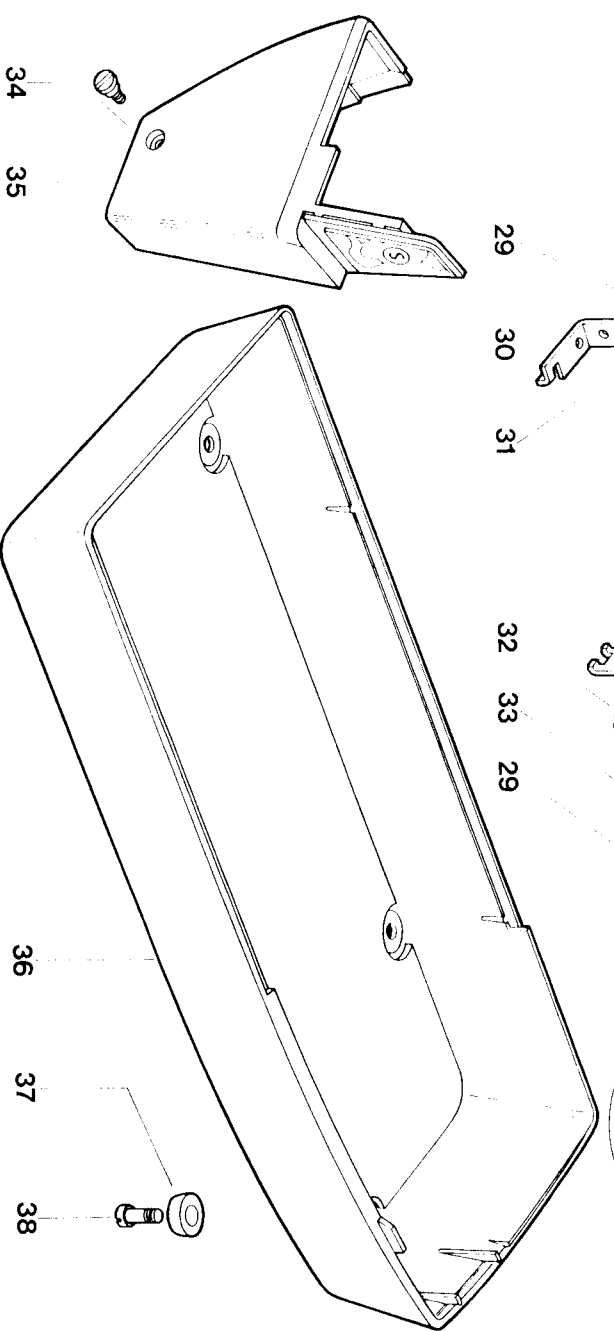
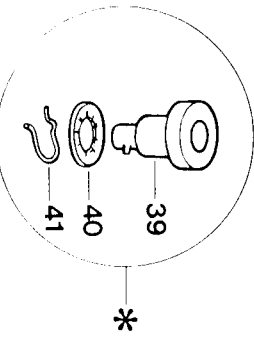
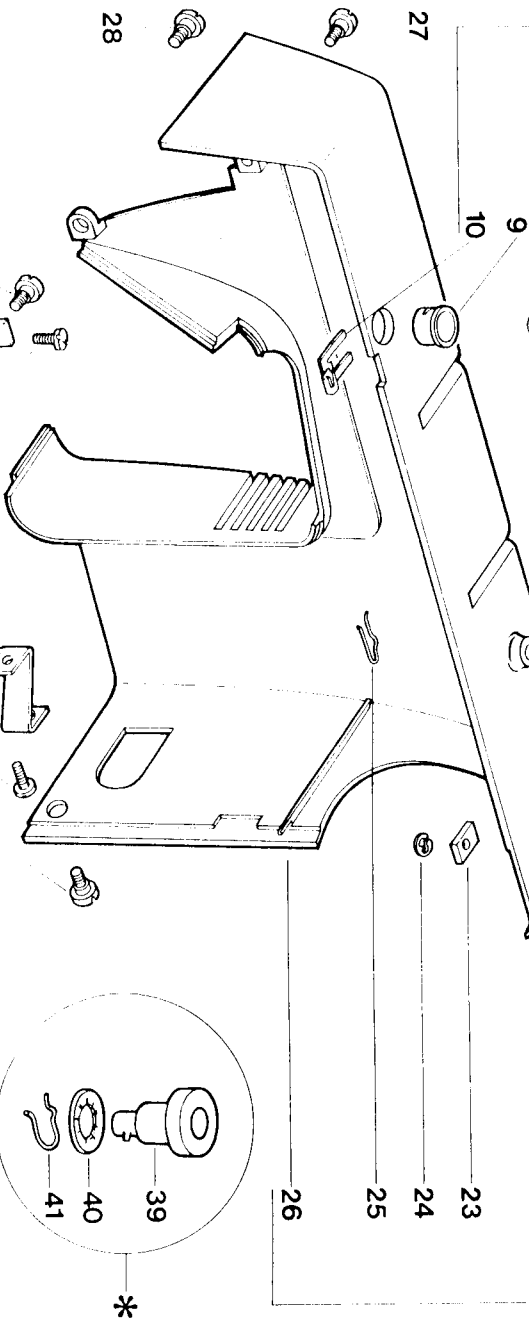
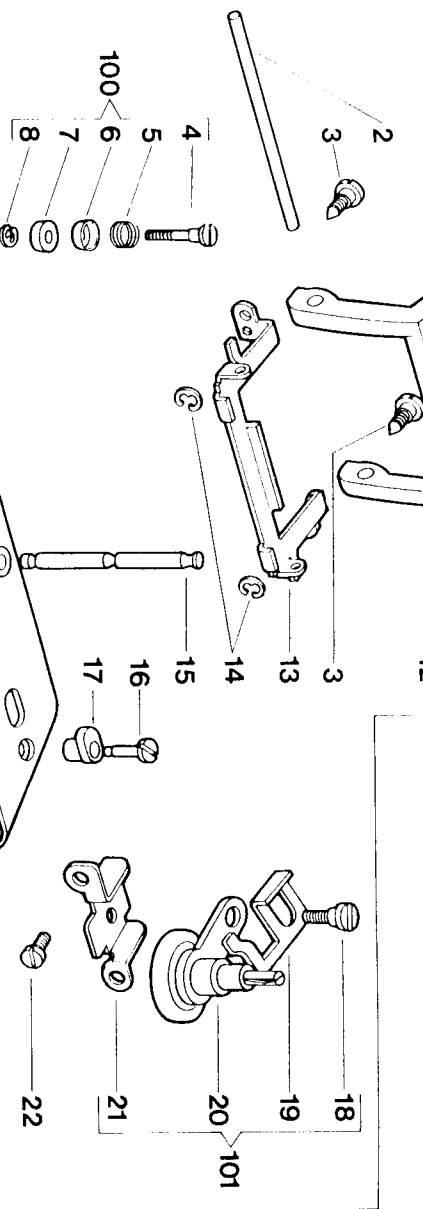
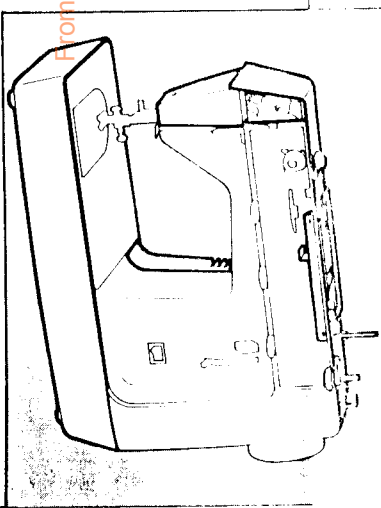
18

Scanned from the library of: Diamond Needle Corp

- 1 1 1
- 200



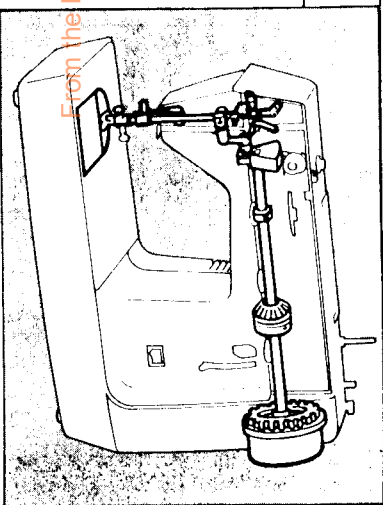
From the library of: Diamond Needle Corp



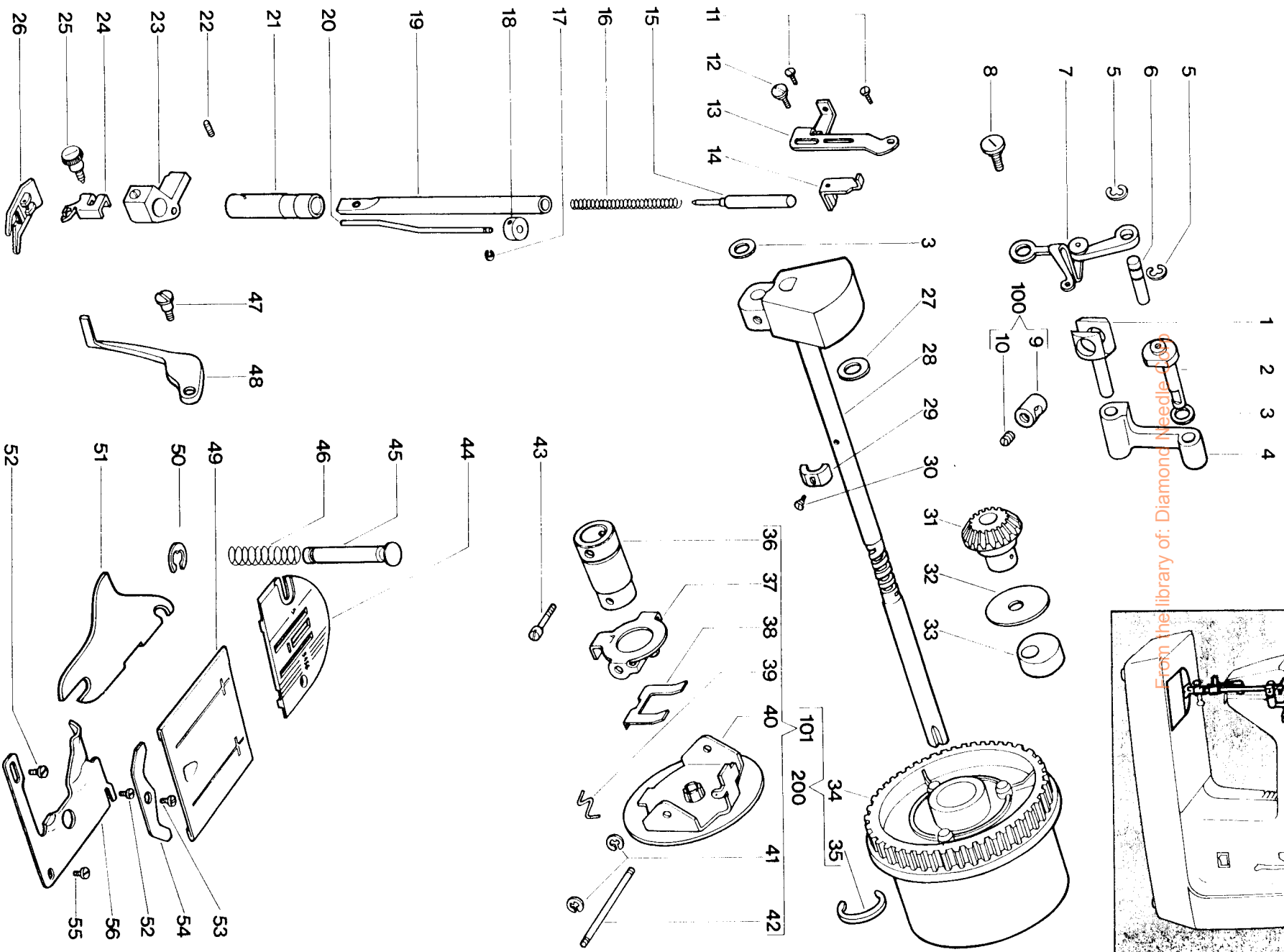
\*

# List of Parts for Machines 353 & 354

Sub. Ass.	ILLUS. REF. N°	Part N°	Part Description	353	354		
				2XX	1XX		
200	1	354261	Machine handle mounting bracket plate screw (lower) (3)	X	X		
		44996-451	Arm cover (back) complete	X	X		
		319652 139988-451	Machine handle hinge pin Machine handle mounting bracket screw (2)	X X X	X X X		
	100	4	179813	Bobbin winder tension complete	X	X	
			179812	Bobbin winder tension stud	X	X	
			45847	Bobbin winder tension disc spring	X	X	
			45915	Bobbin winder tension disc	X	X	
			319606	Bobbin winder tension stud collar	X	X	
			319663	Bobbin winder tension stud retaining ring	X	X	
			179811	Bobbin winder tension stud bushing	X	X	
319605			Bobbin winder tension ret. clip & arm cover (back) thread guide	X	X		
101	18	354223-451	Machine handle mounting bracket plate	X	X		
		319865	Machine handle	X	X		
		319607	Machine handle mounting bracket	X	X		
		319600	Machine handle mounting retaining ring	X	X		
		44998	Arm cover (back) spool pin (retractable)	X	X		
		139982-451	Bobbin winder stop screw	X	X		
		319601-451	Bobbin winder stop (plastic)	X	X		
		319608	Bobbin winder complete assembly	X	X		
		354223-451	Bobbin winder lever hinge screw	X	X		
		319865	Bobbin winder engaging spring	X	X		
26	22	354309-451	Bobbin winder mounting bracket	X	X		
		54580-451	Bobbin winder mounting bracket screw	X	X		
		44784	Bobbin winder stop screw nut	X	X		
		179814	Bobbin winder stop screw nut retaining ring	X	X		
		44995-903	Arm cover (back) spool pin retaining clip	X	X		
		354051-452	Arm cover (back) screw (upper, left)	X	X		
		354051-451	Arm cover (back) screw (lower, left)	X	X		
		139978-451	Arm cover (back) bracket (back) screw (upper)	X	X		
		139978-451	Arm cover (back) screw (right end)	X	X		
		319654	Arm cover (back) bracket (back)	X	X		
38	32	141848-819	Arm cover (back) bracket (back) screw (lower)	X	X		
		44997	Arm cover (back) bracket (right end)	X	X		
		141844-819	Arm cover (back) bracket (right end) screw	X	X		
		354051-451	Face plate screw	X	X		
		319533-451	Face plate	X	X		
		319515-001	Bed cover plate (bottom) (plastic)	X	X		
		45780-452	Bed cover plate (bottom) cushion (rubber) (4)	X	X		
		139980-451	Bed cover plate (bottom) cushion screw (4)	X	X		
		39	41	44999-000	* For first Machines		
				319732	Arm cover (back) spool pin bushing (plastic)	X	X
45000	Arm cover (back) spool pin bushing retaining ring			X	X		
41	Arm cover (back) spool pin retaining clip			X	X		

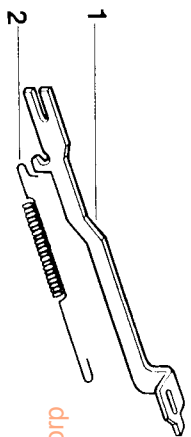


© 2007 Appleton-Century-Cooks Library of: Diatomid and uo23

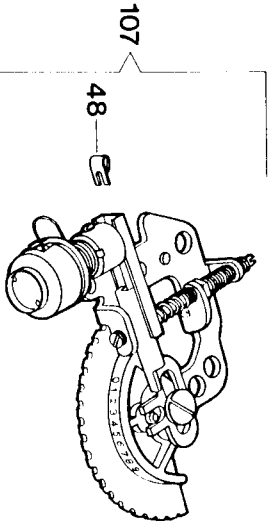
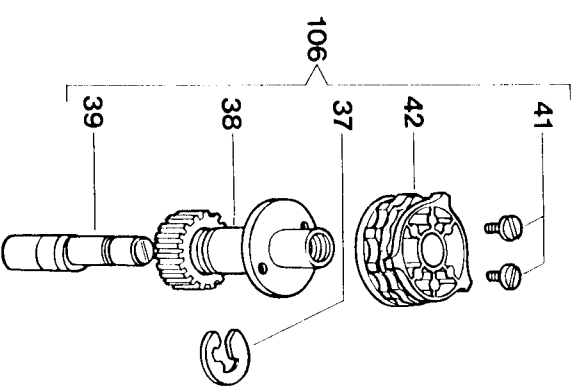
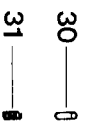
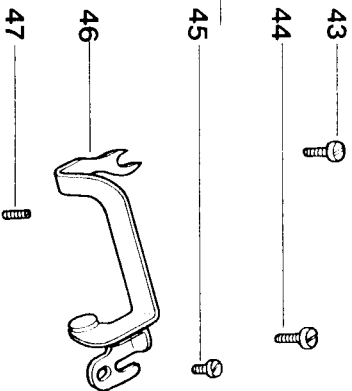
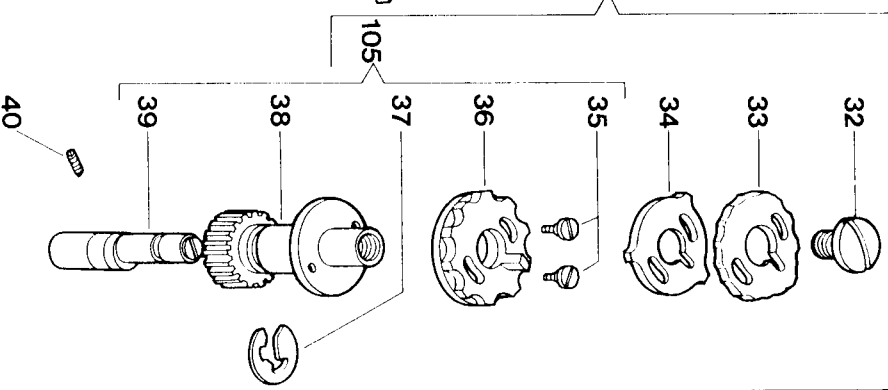
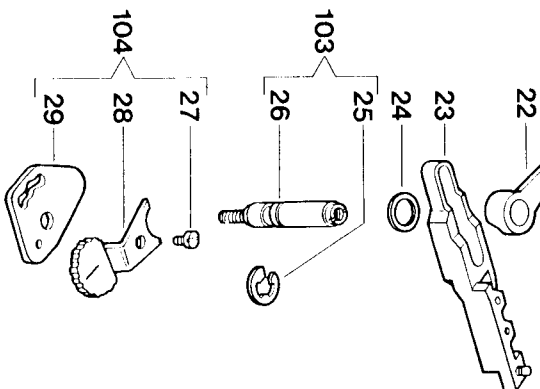
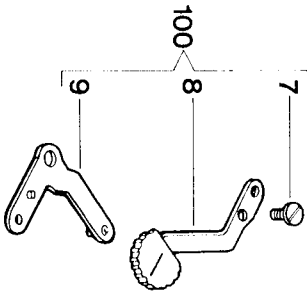
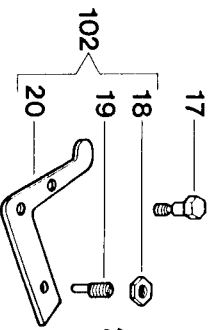
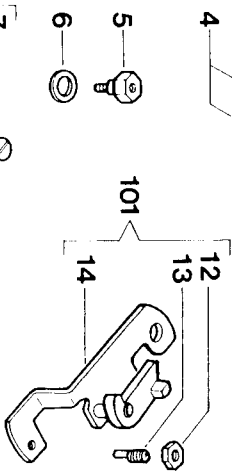
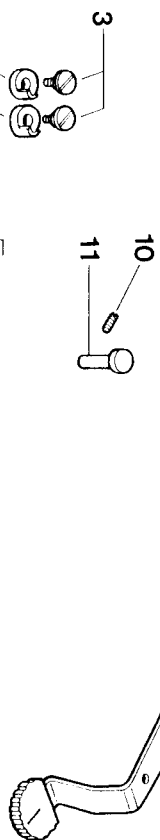
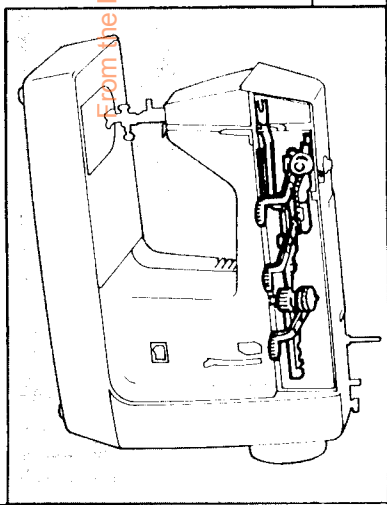


List of Parts for Machines 353 & 354

Sub. Ass.	ILLUS. REF. N°	Part N°	Part Description	353	354
	1	37930	Needle bar connecting stud (2)	X	X
	2	319825	Thread take-up crank	X	X
	3	319822	Thread take-up crank washer (2)	X	X
	4	319824	Needle bar connecting link	X	X
	5	44472	Thread take-up lever link hinge stud	X	X
	6	44421	Thread take-up lever link hinge stud	X	X
	7	319860	Thread take-up lever	X	X
	8	141809-805	Thread take-up lever cap screw	X	X
100	9	37932	Needle bar connecting stud hinge pin with screw	X	X
	10	37931	Needle bar connecting stud hinge pin	X	X
		141916-833	Needle bar clamping screw	X	X
	11	141844-819	Presser bar pressure regulating bracket screw (2)	X	X
	12	141830-803	Presser bar pressure regulating bracket slide screw	X	X
	13	319593	Presser bar pressure regulating bracket	X	X
	14	319594	Presser bar pressure regulating bracket slide	X	X
	15	37959-803	Presser bar pressure regulating extension pin	X	X
	16	319801	Presser bar spring	X	X
	17	179786	Tension releasing pin retaining ring	X	X
	18	44783	Tension releasing pin collar	X	X
	19	319758	Presser bar (hollow)	X	X
	20	44781	Tension releasing pin	X	X
	21	179780	Presser bar bushing	X	X
	22	141803-830	Presser bar bushing set screw	X	X
	23	44444-001	Presser bar guide bracket (with screw 354420-451)	X	X
	24	155964	Presser foot shank (snap-on)	X	X
	25	354135-451	Presser foot thumb screw	X	X
	26	155962	Presser foot plate (snap-on) zigzag sewing	X	X
	27	319764	Needle bar crank washer	X	X
	28	319509	Arm shaft (horizontal)	X	X
	29	319511	Arm shaft (horizontal) collar (plastic)	X	X
	30	354051-452	Arm shaft (horizontal) collar screw	X	X
	31	37229	Arm shaft (horizontal) bevel gear (plastic) & feed lifting	X	X
	32	37284-001	Feed forked connection retaining washer	X	X
	33	37281	Feed cam	X	X
200	34	319562-451	Hand wheel complete	X	X
	35	319555-451	Hand wheel	X	X
		319563	Hand wheel retaining ring	X	X
101	36	319558-451	Hand wheel disengaging clutch complete	X	X
	37	319557	Hand wheel disengaging clutch bushing	X	X
	38	319566	Hand wheel disengaging clutch bushing plate	X	X
	39	319657	Hand wheel disengaging clutch bushing plate retainer	X	X
	40	319657	Hand wheel disengaging clutch actuating spring	X	X
	41	319846-451	Hand wheel disengaging clutch engaging plate	X	X
	42	319561	Hand wheel disengaging clutch engaging plate hinge pin retaining ring (2)	X	X
		319560	Hand wheel disengaging clutch engaging plate hinge pin	X	X
	43	139983-451	Hand wheel disengaging clutch bushing screw	X	X
	44	37996-892	Throat plate for zigzag sewing	X	X
	45	102840-892	Throat plate clamp	X	X
	46	179657	Throat plate clamp spring	X	X
	47	141947-803	Presser bar lifter hinge screw	X	X
	48	179822	Presser bar lifter	X	X
	49	319516	Bed slide	X	X
	50	45973	Throat plate clamp spring retaining clip	X	X
	51	381903	Rotating hook bobbin, case retaining plate (adjustable)	X	X
	52	354229-451	RHBC retaining plate adj. screw (2)	X	X
	53	141848-819	Bed slide spring screw	X	X
	54	319517	Bed slide spring	X	X
	55	354227-451	RHBC retaining plate (adjustable screw)	X	X
	56	44873	Rotating hook bobbin case position plate	X	X



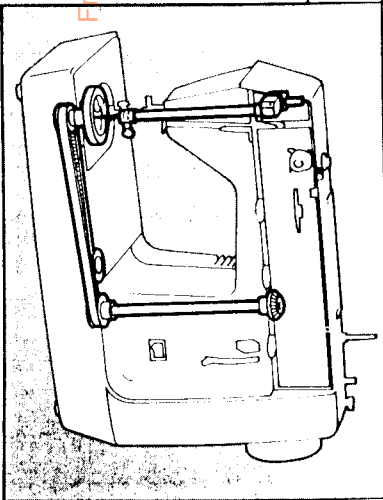
Library of: **Dian Needle Corp**



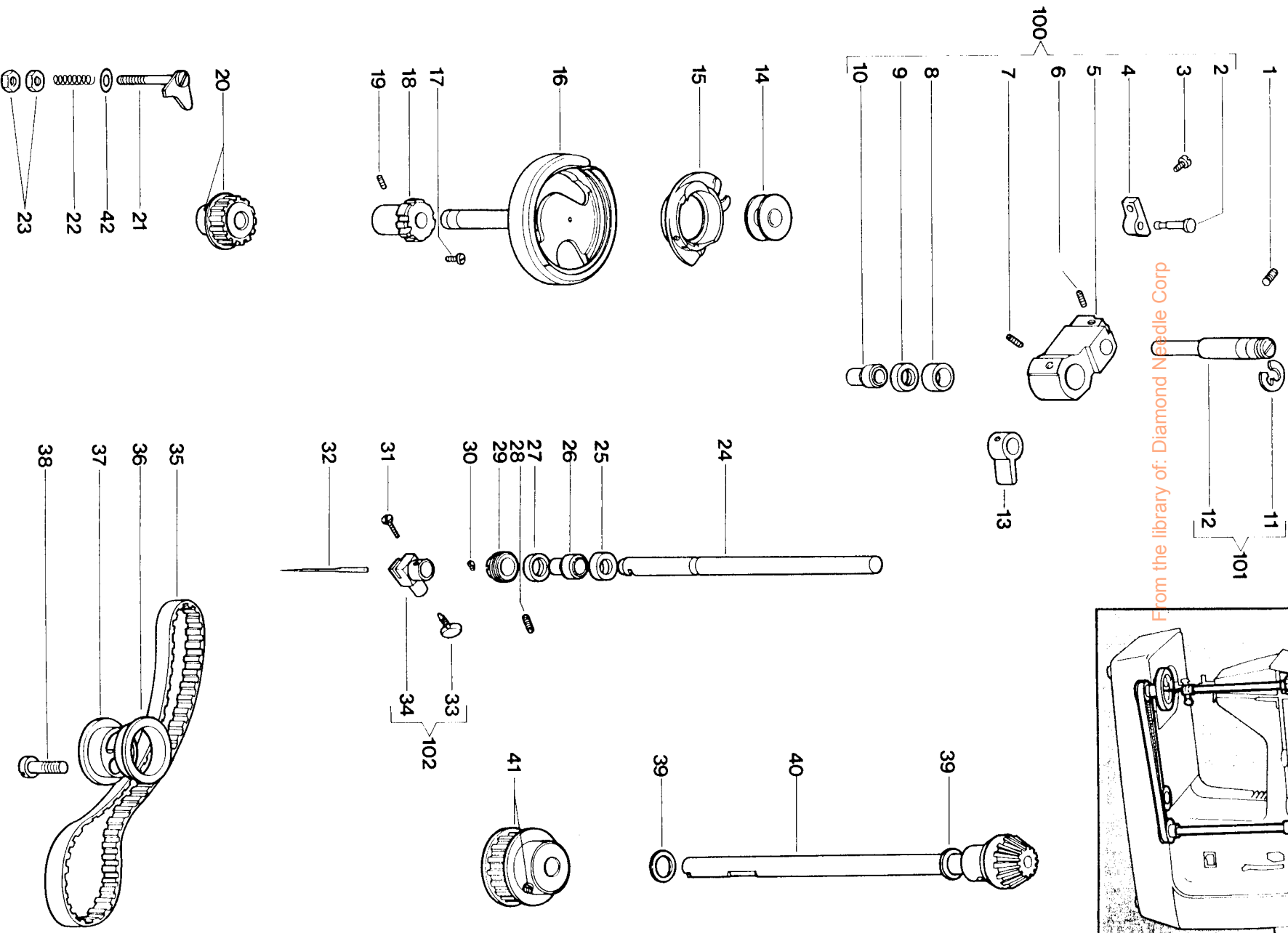


# List of Parts for Machines 353 & 354

Sub. Ass.	ILLUS. REF. N°	Part N°	Part Description	353	354
				1XX	2XX
100	1	37933-803	Needle bar driving arm	X	X
	2	37942	Needle bar driving arm tension spring	X	X
	3	141787-819	Right amplitude control lever link stop screw (2)	X	X
	4	37248	Right amplitude control lever link stop (plastic) (2)	X	X
	5	319522	Right amplitude control lever link hinge screw stud	X	X
	6	49204-830	Right amplitude control lever link hinge scr. stud friction washer	X	X
	7	319520-451	Right amplitude control lever complete	X	X
	8	141913-819	Right amplitude control lever screw	X	X
	9	319519-451	Right amplitude control lever	X	X
	10	37246	Right amplitude control lever link	X	X
	11	354083-451	Needle bar driving arm slide bracket hinge stud set screw	X	X
101	12	179792	Needle bar driving arm slide bracket hinge stud	X	X
	13	319800	Needle bar driving arm slide bracket complete	X	X
	14	53641-819	Needle position selector lever bracket follower screw stud nut	X	X
	15	44471	Needle position selector lever bracket foll. scr. stud (eccentric)	X	X
	16	319798	Needle bar driving arm slide bracket	X	X
	17	44471	Needle bar driving arm slide bracket	X	X
	18	44471	Needle bar driving arm slide bracket	X	X
	19	44471	Needle bar driving arm slide bracket	X	X
	20	37264	Disc follower disengaging lever	X	X
	21	179796	Disc follower disengaging lever complete	X	X
	22	53641-819	Disc follower disengaging lever complete	X	X
23	319753	Disc follower disengaging lever adjusting screw stud nut	X	X	
24	179800-000	Disc follower disengaging lever adjusting screw stud	X	X	
102	25	37269	Disc follower disengaging lever	X	X
	26	44371	Disc follower disengaging lever	X	X
	27	37268	Disc follower disengaging lever	X	X
	28	319591-451	Disc follower position spring	X	X
	29	141913-819	Disc selector cam slide	X	X
	30	319590-451	Disc selector cam slide	X	X
	31	37955-803	Disc selector cam slide washer	X	X
	32	37956	Disc selector cam slide washer	X	X
	33	319720	Disc selector cam slide	X	X
	34	141792-819	Disc selector cam slide	X	X
	103	35	276302	Disc selector cam slide	X
36		276302	Disc selector cam slide	X	X
37		276302	Disc selector cam slide	X	X
38		276302	Disc selector cam slide	X	X
39		276302	Disc selector cam slide	X	X
40		276302	Disc selector cam slide	X	X
41		276302	Disc selector cam slide	X	X
42		276302	Disc selector cam slide	X	X
43		276302	Disc selector cam slide	X	X
44		276302	Disc selector cam slide	X	X
104		45	276302	Disc selector cam slide	X
	46	276302	Disc selector cam slide	X	X
	47	276302	Disc selector cam slide	X	X
	48	276302	Disc selector cam slide	X	X
	49	276302	Disc selector cam slide	X	X
	50	276302	Disc selector cam slide	X	X
	51	276302	Disc selector cam slide	X	X
	52	276302	Disc selector cam slide	X	X
	53	276302	Disc selector cam slide	X	X
	54	276302	Disc selector cam slide	X	X
	105	55	276302	Disc selector cam slide	X
56		276302	Disc selector cam slide	X	X
57		276302	Disc selector cam slide	X	X
58		276302	Disc selector cam slide	X	X
59		276302	Disc selector cam slide	X	X
60		276302	Disc selector cam slide	X	X
61		276302	Disc selector cam slide	X	X
62		276302	Disc selector cam slide	X	X
63		276302	Disc selector cam slide	X	X
64		276302	Disc selector cam slide	X	X
106		65	276302	Disc selector cam slide	X
	66	276302	Disc selector cam slide	X	X
	67	276302	Disc selector cam slide	X	X
	68	276302	Disc selector cam slide	X	X
	69	276302	Disc selector cam slide	X	X
	70	276302	Disc selector cam slide	X	X
	71	276302	Disc selector cam slide	X	X
	72	276302	Disc selector cam slide	X	X
	73	276302	Disc selector cam slide	X	X
	74	276302	Disc selector cam slide	X	X
	107	75	276302	Disc selector cam slide	X
76		276302	Disc selector cam slide	X	X
77		276302	Disc selector cam slide	X	X
78		276302	Disc selector cam slide	X	X
79		276302	Disc selector cam slide	X	X
80		276302	Disc selector cam slide	X	X
81		276302	Disc selector cam slide	X	X
82		276302	Disc selector cam slide	X	X
83		276302	Disc selector cam slide	X	X
84		276302	Disc selector cam slide	X	X
108		85	276302	Disc selector cam slide	X
	86	276302	Disc selector cam slide	X	X
	87	276302	Disc selector cam slide	X	X
	88	276302	Disc selector cam slide	X	X
	89	276302	Disc selector cam slide	X	X
	90	276302	Disc selector cam slide	X	X
	91	276302	Disc selector cam slide	X	X
	92	276302	Disc selector cam slide	X	X
	93	276302	Disc selector cam slide	X	X
	94	276302	Disc selector cam slide	X	X

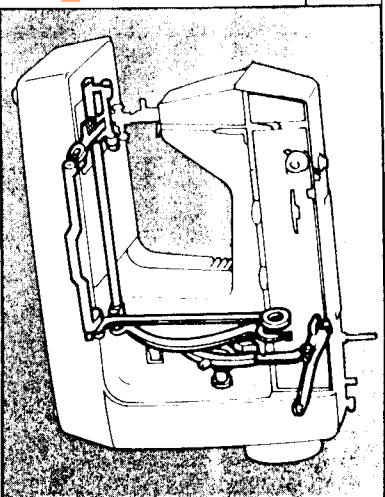


From the library of: Diamond Needle Corp

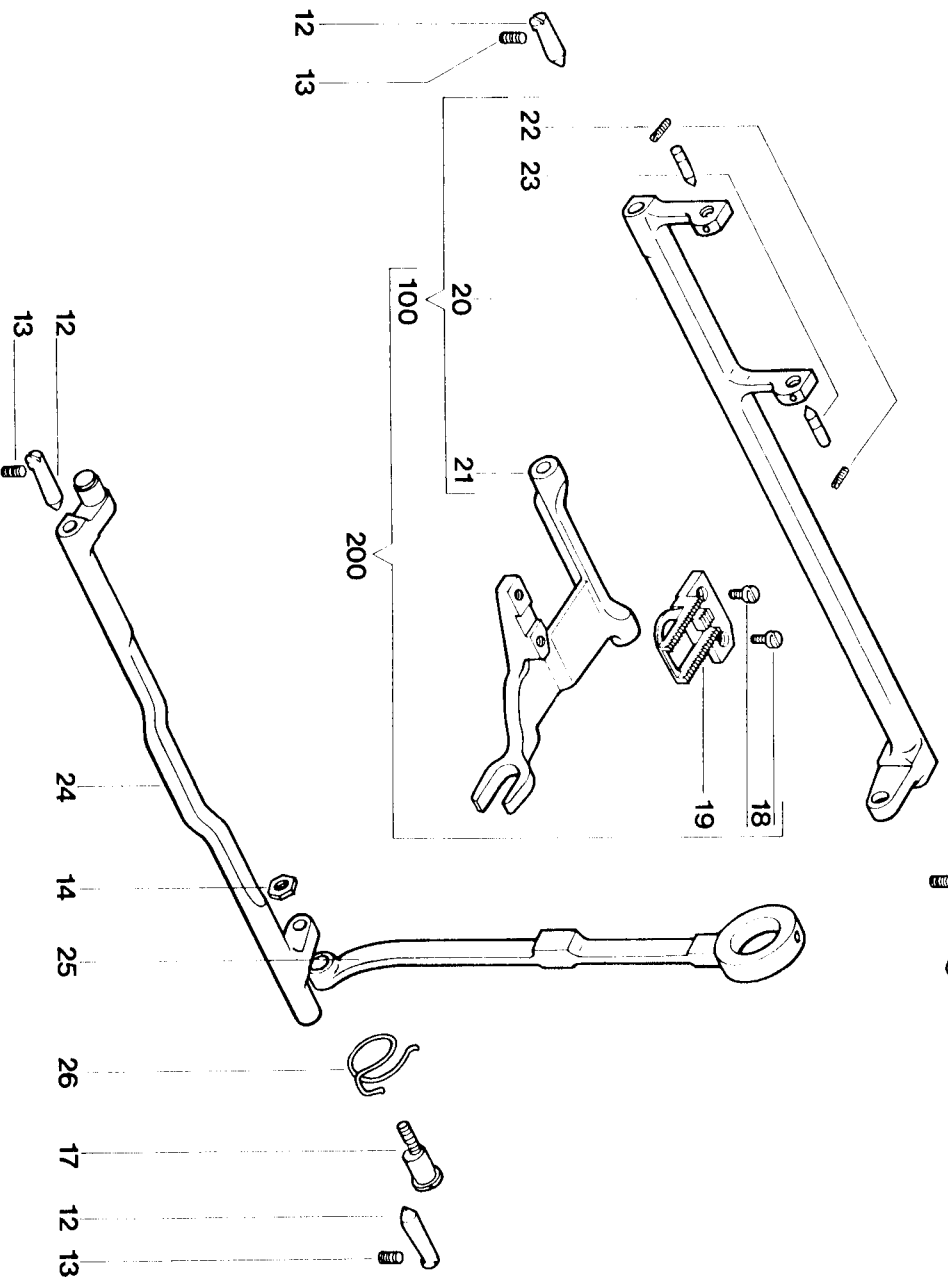
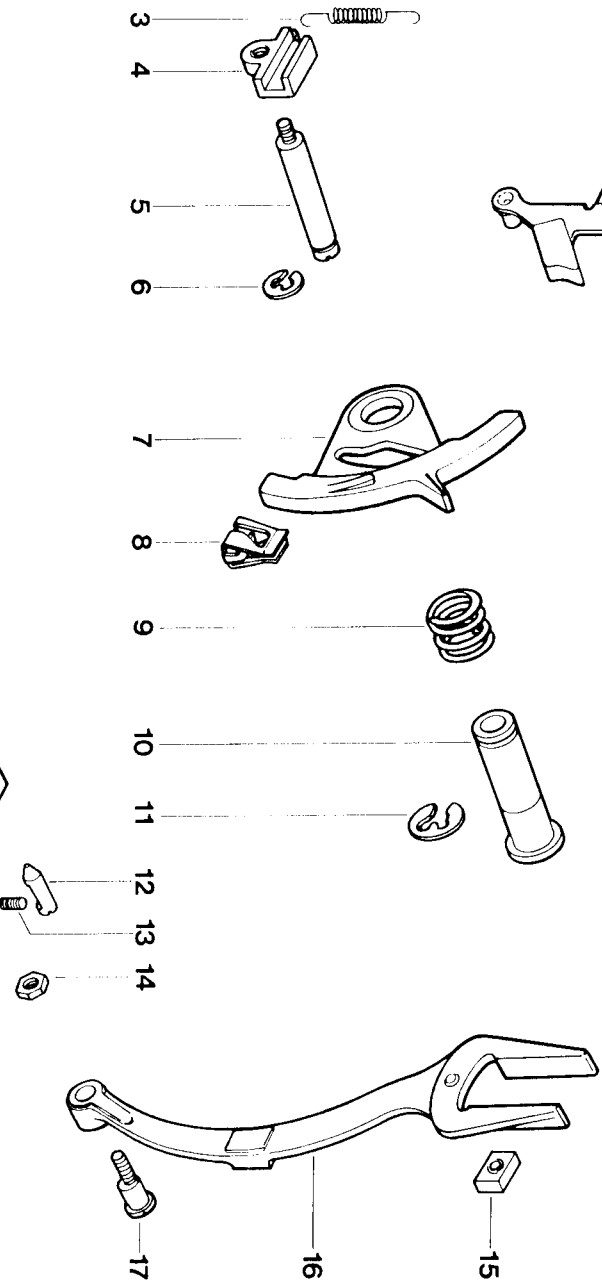
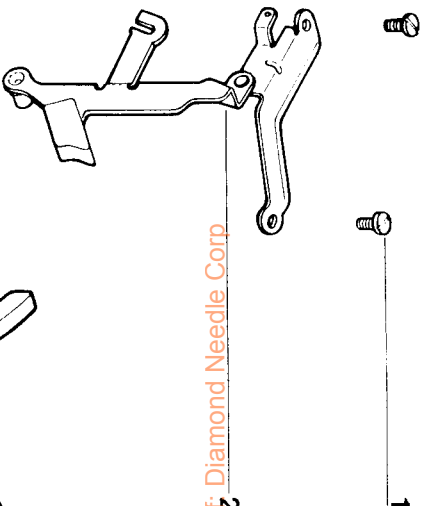


List of Parts for Machines 353 & 354

Sub. Ass.	ILLUS. REF. N°	Part N°	Part Description	353	354
2XX	1XX				
	100	1	Needle bar vibrating bracket hinge pin (eccentric) set screw	X	X
		2	Needle bar vibrating bracket complete	X	X
		3	Needle bar driving arm hinge bracket hinge pin	X	X
		4	Needle bar driving arm hinge bracket screw	X	X
		5	Needle bar driving arm hinge bracket	X	X
		6	Needle bar vibrating bracket	X	X
		7	Needle bar driving arm hinge bracket hinge pin set screw	X	X
		8	Needle bar ball bushing (upper) adjusting collar set screw	X	X
		9	Needle bar ball bushing (upper) adjusting collar	X	X
		10	Needle bar ball bushing (upper) socket	X	X
			Needle bar ball bushing (upper)	X	X
	101	11	Needle bar vibrating bracket hinge pin with retaining ring	X	X
		12	Needle bar vibrating bracket hinge pin retaining ring	X	X
			Needle bar vibrating bracket hinge pin	X	X
		13	Needle bar vibrating bracket hinge pin collar (with screw 354203-451)	X	X
		14	Rotating hook bobbin (plastic)	X	X
		15	Rotating hook bobbin case	X	X
		16	Rotating hook	X	X
		17	Rotating hook flanged bushing (eccentric) position adjusting screw	X	X
		18	Rotating hook flanged bushing (eccentric)	X	X
		19	Rotating hook flanged bushing (eccentric) set screw	X	X
		20	Rotating hook belt drive pulley (with 2 screws 354244-451)	X	X
		21	Rotating hook bobbin case retaining plate	X	X
		22	Rotating hook bobbin case retaining plate stud spring	X	X
		23	Rotating hook bobbin case retaining plate stud nut (2)	X	X
		24	Needle bar	X	X
		25	Needle bar ball bushing (lower) socket (upper)	X	X
		26	Needle bar ball bushing (lower)	X	X
		27	Needle bar ball bushing (lower) socket (lower)	X	X
		28	Needle bar ball bushing (lower) adjusting screw set screw	X	X
		29	Needle bar ball bushing (lower) adjusting screw	X	X
		30	Needle bar gib	X	X
		31	Needle clamp body & needle stop screw	X	X
		32	Needle size No. 14	X	X
	102	33	Needle clamp complete	X	X
		34	Needle thumb screw	X	X
			Needle clamp body	X	X
		35	Rotating hook driving belt (rubber)	X	X
		36	Rotating hook driving belt tension adjuster (eccentric) roller	X	X
		37	Rotating hook driving belt tension adjuster	X	X
		38	Rotating hook driving belt tension adjuster (eccentric) screw	X	X
		39	Arm shaft (upright) washer (2)	X	X
		40	Arm shaft (upright)	X	X
		41	Arm shaft (upright) belt drive pulley (with screw 141803-830)	X	X
		42	Rotating hook bobbin case retaining plate stud washer	X	X



From the library of [Diamond Needle Corp.](#)

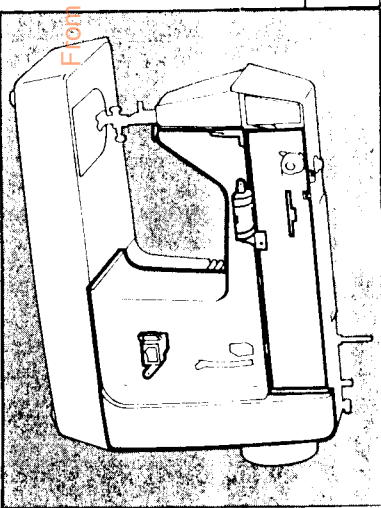


List of Parts for Machines 353 & 354

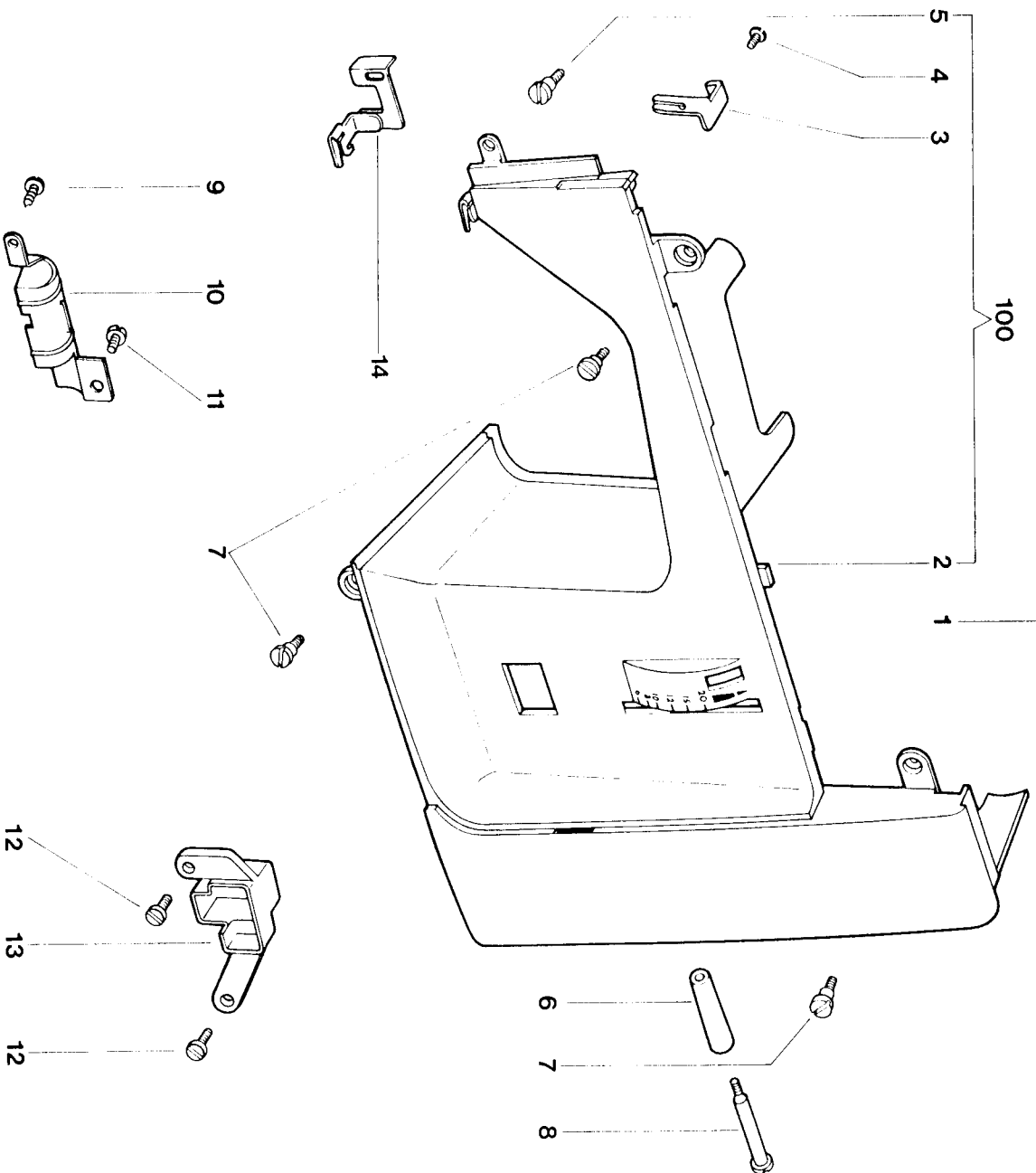
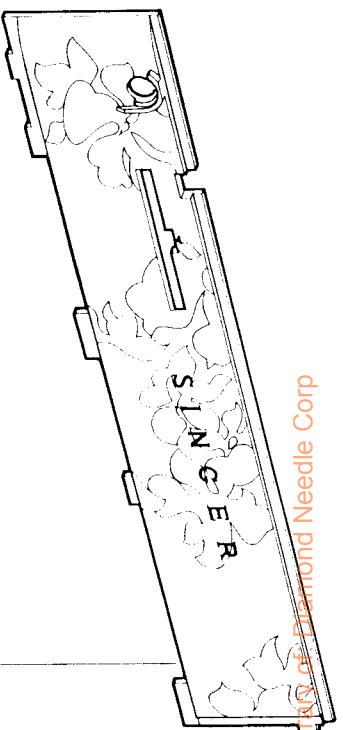
5

Sub. Ass.	ILLUS. REF. N°	Part N°	Part Description	353	354
	1	141848-819	Feed regulator control arm mounting bracket screw (2)	X	X
	2	319540-451	Feed regulator control arm complete	X	X
	3	37913	Feed regulator return spring	X	X
	4	319536	Feed regulator	X	X
	5	319548	Feed regulator hinge stud	X	X
	6	319551	Feed regulator hinge stud retaining ring	X	X
	7	319544-451	Feed regulator control dial	X	X
	8	319524	Feed regulator control dial friction spring	X	X
	9	319550	Feed regulator hinge stud bushing	X	X
	10	319549	Feed regulator hinge stud bushing	X	X
	11	319546	Feed regulator control dial retaining ring	X	X
	12	37287-810	Feed rock shaft center (2)	X	X
	13	37287-810	Feed lifting rock shaft center (2)	X	X
	13	141925-833	Feed rock shaft center set screw (2)	X	X
	13	141925-833	Feed lifting rock shaft center set screw (2)	X	X
	14	53648-819	Feed forked connection hinge screw (eccentric) nut	X	X
	14	53648-819	Feed lifting rock shaft connecting rod hinge screw eccentric nut	X	X
	15	319820	Feed forked connection slide block	X	X
	16	37383	Feed forked connection	X	X
	17	141805-850	Feed forked connection hinge screw (eccentric)	X	X
	17	141805-850	Feed lifting rock shaft connecting rod hinge screw (eccentric)	X	X
200	18	319902	Feed rock shaft with feed dog complete	X	X
	19	141920-833	Feed dog screw (2)	X	X
	19	103188-650	Feed dog	X	X
100	20	446718	Feed rock shaft complete	X	X
	21	446717	Feed rock shaft	X	X
	22	37280	Feed bar	X	X
	22	141938-833	Feed bar center set screw (2)	X	X
	23	446716	Feed bar center (2)	X	X
	24	37286	Feed lifting rock shaft	X	X
	25	37288-309	Feed lifting rock shaft connecting rod	X	X
	26	319830	Feed rock shaft spring	X	X

Corrected from original drawing



From the library of Diamond Needle Corp



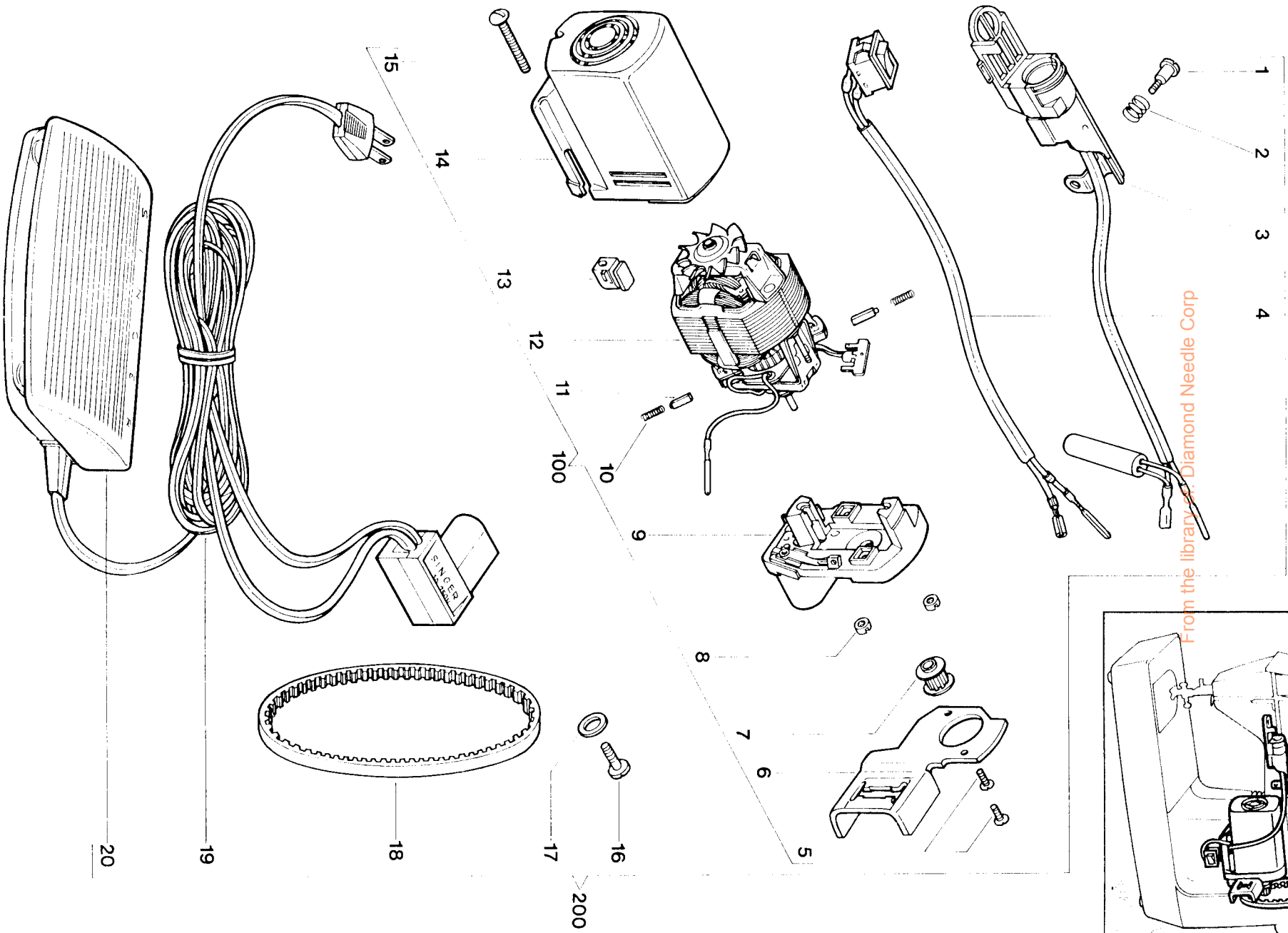
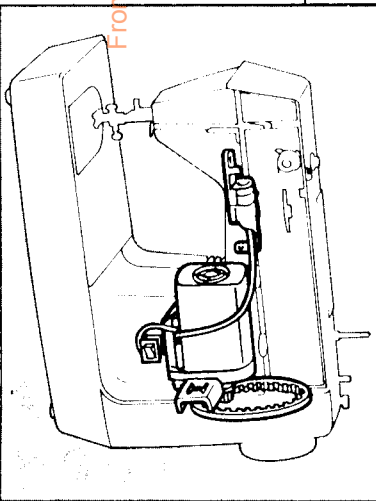
# List of Parts for Machines 353 & 354

6

Sub. Ass.	ILLUS. REF. N°	Part N°	Part Description	353	354
	1	319523 179802	Control panel Control panel	X	X
		319502-001	Arm cover (front)	X	X
100	2	319774+001	Arm cover (front)	X	X
	3	319506	Arm cover (front) thread guide	X	X
	4	354141-451	Arm cover (front) thread guide screw	X	X
	5	354051-452	Arm cover (front) screw (lower, left)	X	X
	6	319503	Arm cover (front) screw (right end) spacer (plastic)	X	X
	7	139978-452	Arm cover (front) screw (upper, left & right) (2)	X	X
	8	139979-451	Arm cover (front) screw (lower, right)	X	X
	9	354050-451	Arm cover (front) screw (right end)	X	X
	10	319674	Light shield	X	X
	11	354084-451	Light shield screw (right)	X	X
	12	141848-819	Switch enclosure screw (2)	X	X
	13	603979-001	Switch enclosure	X	X
	14	179818	Arm cover (front) thread guide (lower) assembly	X	X

From the library of: Diamond Needle Corp

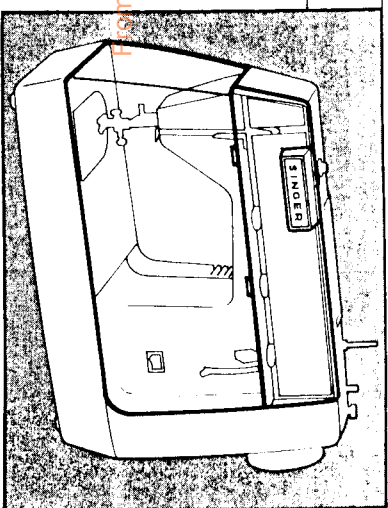
From the library of Diamond Needle Corp



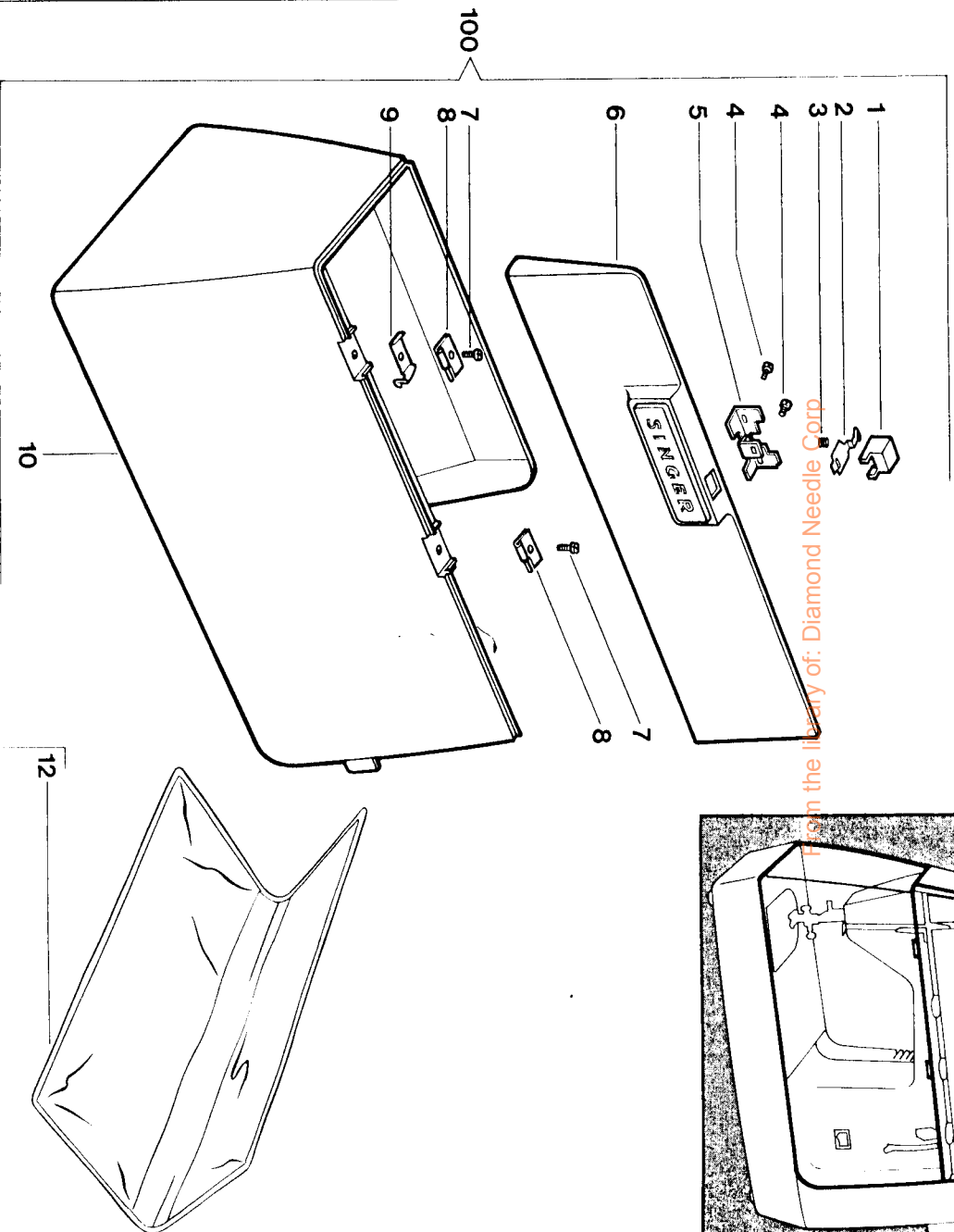


# List of Parts for Machines 353 & 354

Sub. Ass. 2XX	ILLUS. REF. N°	Part N°	Part Description	353	354	
						1XX
200	100	1	604141-001	Electrical equipment complete 20 Volt wou J		
		2	603976-001	Light bracket spring screw		
		3	603987-001	Light bracket spring		
		4	603971-001	Light complete		
		5	603977-001	Switch complete		
		6	604044-001	Motor complete 120V		
		7	603956-001	Mounting bracket screw (2)		
		8	604209-002	Mounting bracket		
		9	604437-001	Pulley assembly		
		10	603907-001	Module mounting nut (2)		
		11	604008-002	Commutator end housing		
		12	619436-001	Brush spring (2)		
		13	619435-001	Brush (2)		
		14	603912-001	Module motor 120V		
		15	604013-001	Dust cover retainer block		
			16	604048-002	Dust cover	
			17	604016-001	Dust cover screw	
			18	604020-001	Machine mounting screw	
			19	604018-002	Machine mounting screw washer	
			20	603975-001	Belt	
		618633-000	Cords for foot controller			
		618597	Foot controller (618597-073-074-099 to 118)			



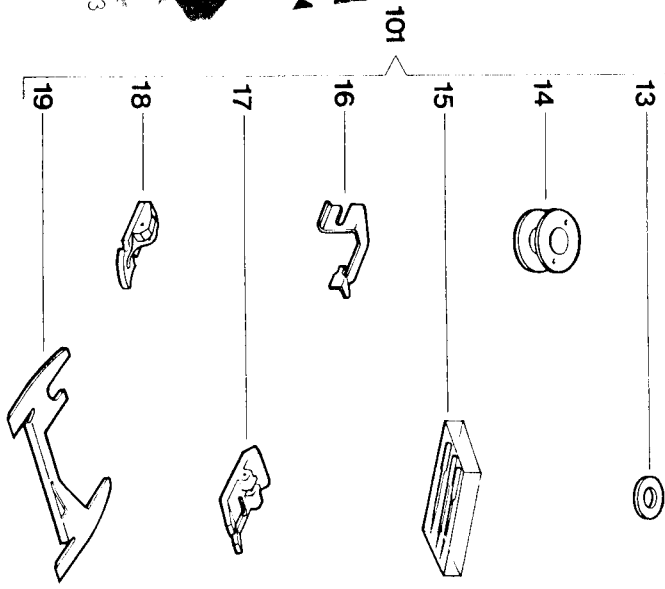
From the library of: Diamond Needle Corp.



**SINGER**  
**INSTRUCTIONS**

**Lite**  
 Lightweight For  
 1 1/2" Sewing Machine  
 Model 354  
 Model 353

With NEW  
 Elastic Stretch  
 Stitch



List of Parts for Machines 353 & 354

8

Sub. Ass.	ILLUS. REF. N°	Part N°	Part Description	Machine	
				353	354
2XX	1XX				
	100		<i>From the library of: Diamond Needle Corp</i>		
	1	319565-451	Machine cover complete	X	X
	2	319570-451	Machine cover lid releasing button plastic	X	X
	3	319571	Machine cover lid catch	X	X
	3	179827	Machine cover lid releasing button spring	X	X
	4	139985-452	Machine cover lid releasing button mounting bracket screw (2)	X	X
	5	319710-451	Machine cover lid releasing button mounting bracket	X	X
	6	319569	Machine cover lid	X	X
	7	139986-451	Machine cover lid hinge screw (2)	X	X
	8	319689	Machine cover lid hinge body (lower) (2)	X	X
	9	319575-451	Machine cover lid hinge spring (left)	X	X
	10	179789-451	Machine cover	X	X
	11	B 214	Instruction book	X	
	11	B 254	Instruction book		X
	101				
	12	171492	Attachment set complete	X	X
	13	171469	Attachment pouch (plastic)	X	X
	14	319914	Arm cover (back) spool pin washer (felt)	X	X
	14	172336	Bobbins (3)	X	X
	15	103488	Needle pack (plastic)	X	X
	16	161963	Blindstitch guide (non-adjustable)	X	X
	17	171498	Special purpose presser foot plate	X	X
	18	507836	Presser foot plate (snap-on) complete for cording and slide fasten.	X	X
	19	161894	Throat plate raising plate	X	X